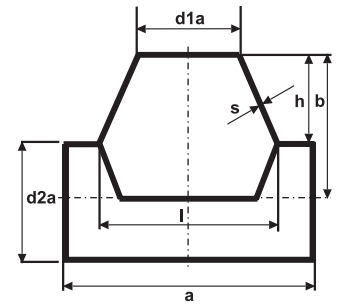


Saddle Tee-pieces / STWi

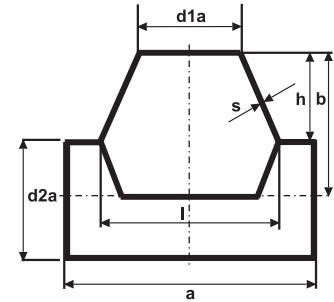
Welded saddle Tee-pieces with extended base tube and saddle supports welded on



ISO STANDARD

DN	length	height	a	b	available wall thickness s in mm / weight kg per item										
					1,5	2,0	2,5	3,0	4,0	5,0	6,0	8,0	10,0	12,0	
21,3	21,3	55	30	155	41	0,07	0,08								
	17,2					●	●								
26,9	26,9	61	30	161	43	0,10	0,13	0,15							
	21,3					●	●	●							
	17,2					●	●	●							
33,7	33,7	68	30	168	47	0,17	0,22	0,28							
	26,9					●	●	●							
	21,3					●	●	●							
42,4	42,4	83	35	183	56	0,27	0,35	0,43	0,52						
	33,7					●	●	●							
	26,9					●	●	●							
	21,3					●	●								
48,3	48,3	95	40	195	64	0,36	0,49	0,60	0,73						
	42,4					●	●	●	●						
	33,7					●	●	●							
	26,9					●	●	●							
60,3	60,3	112	45	212	75	0,50	0,66	0,83	1,00						
	48,3					●	●	●	●						
	42,4					●	●	●	●						
	33,7					●	●	●							
	26,9					●	●	●							
76,1	76,1	128	50	228	88	0,75	1,00	1,26	1,50	2,00					
	60,3					●	●	●	●						
	48,3					●	●	●	●						
	42,4					●	●	●	●						
	33,7					●	●	●							
88,9	88,9	158	60	258	104	0,98	1,31	1,64	1,96	2,60					
	76,1					●	●	●	●	●					
	60,3					●	●	●	●						
	48,3					●	●	●	●						
	42,4					●	●	●	●						
114,3	114,3	190	65	290	122		2,00	2,60	3,00	4,00	5,00				
	88,9					●	●	●	●						
	76,1					●	●	●	●						
	60,3					●	●	●							
	48,3					●	●	●							

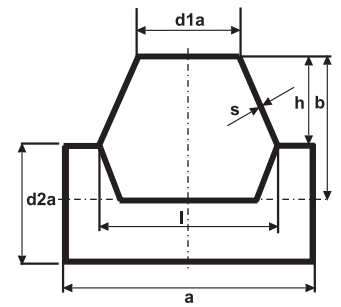
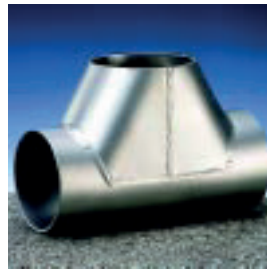
Saddle Tee-pieces / STWi



DN		length	height			available wall thickness s in mm / weight kg per item									
d2a	d1a	l	h	a	b	1,5	2,0	2,5	3,0	4,0	5,0	6,0	8,0	10,0	12,0
139,7	139,7	238	85	338	155		3,00	3,50	4,50	6,00	7,50				
	114,3					●	●	●	●	●					
	88,9					●	●	●	●						
	76,1					●	●	●	●						
	60,3					●	●	●	●						
168,3	168,3	284	100	384	184		4,00	5,00	6,00	8,00	10,00	12,00			
	139,7					●	●	●	●	●					
	114,3					●	●	●	●	●					
	88,9					●	●	●	●						
	76,1					●	●	●	●						
219,1	219,1	375	135	475	245		6,50	8,00	9,50	13,00	16,00	19,50	26,00		
	168,3					●	●	●	●	●	●				
	139,7					●	●	●	●	●					
	114,3					●	●	●	●	●					
	88,9					●	●	●	●						
273,0	273,0	446	150	546	287		10,00	12,00	14,50	19,50	24,50	29,50	39,00	49,00	
	219,1					●	●	●	●	●	●	●			
	168,3					●	●	●	●	●	●				
	139,7					●	●	●	●	●					
	114,3					●	●	●	●						
323,9	323,9	526	175	626	337			16,50	20,00	27,50	34,00	40,00	55,00	69,00	
	273,0						●	●	●	●	●	●	●		
	219,1						●	●	●	●	●	●			
	168,3						●	●	●	●					
	139,7						●	●	●						
355,6	355,6	587	200	687	378				24,50	33,00	41,50	49,00	66,00	83,00	
	323,9							●	●	●	●	●	●		
	273,0							●	●	●	●	●	●		
	219,1							●	●	●	●	●			
	168,3							●	●	●	●				
406,4	406,4	637	200	737	403				30,00	40,50	50,50	61,00	70,50	100,00	
	355,6							●	●	●	●	●	●		
	323,9							●	●	●	●	●	●		
	273,0							●	●	●	●	●	●		
	219,1							●	●	●	●	●			
168,3			●	●	●	●									

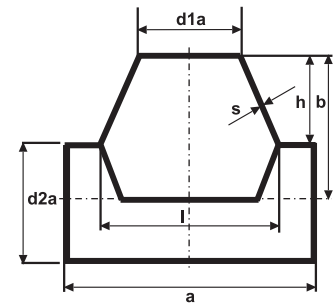
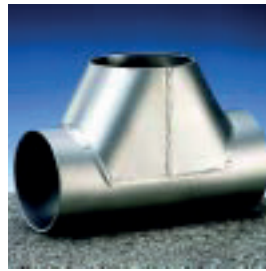
ISO STANDARD

Saddle Tee-pieces / STWi



ISO STANDARD	DN		length	height			available wall thickness s in mm / weight kg per item									
	d2a	d1a	l	h	a	b	1,5	2,0	2,5	3,0	4,0	5,0	6,0	8,0	10,0	12,0
457,0	457,0	717	225	817	454				38,50	52,00	64,00	77,00	103,00	127,00		
	406,4					•	•	•	•	•	•					
	355,6					•	•	•	•	•	•					
	323,9					•	•	•	•	•	•					
	273,0					•	•	•	•	•	•					
	219,1					•	•	•	•	•	•					
508,0	508,0	797	250	897	504				47,50	63,50	79,00	95,00	126,00	159,00		
	457,0					•	•	•	•	•	•					
	406,4					•	•	•	•	•	•					
	355,6					•	•	•	•	•	•					
	323,9					•	•	•	•	•	•					
	273,0					•	•	•	•	•	•					
219,1	•	•	•	•	•	•										
610,0	610,0	956	300	1056	605				64,00	85,00	106,00	127,00	170,00	212,00		
	508,0					•	•	•	•	•	•					
	457,0					•	•	•	•	•	•					
	406,4					•	•	•	•	•	•					
	355,6					•	•	•	•	•	•					
	323,9					•	•	•	•	•	•					
273,0	•	•	•	•	•	•										
711,0	711,0	1115	350	1215	706				93,00	125,00	155,00	187,00	249,00	310,00		
	610,0					•	•	•	•	•	•					
	508,0					•	•	•	•	•	•					
	457,0					•	•	•	•	•	•					
	406,4					•	•	•	•	•	•					
	355,6					•	•	•	•	•	•					
323,9	•	•	•	•	•	•										
813,0	813,0	1275	400	1375	807				119,00	158,00	201,00	237,00	316,00	395,00	475,00	
	711,0					•	•	•	•	•	•					
	610,0					•	•	•	•	•	•					
	508,0					•	•	•	•	•	•					
	457,0					•	•	•	•	•	•					
	406,4					•	•	•	•	•	•					
355,6	•	•	•	•	•	•										

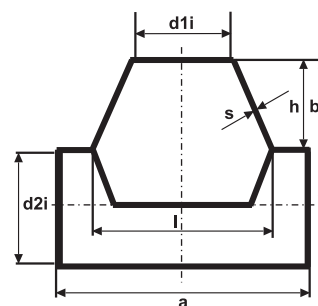
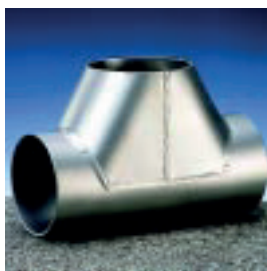
Saddle Tee-pieces / STWi



DN		length	height			available wall thickness s in mm / weight kg per item									
d2a	d1a	l	h	a	b	1,5	2,0	2,5	3,0	4,0	5,0	6,0	8,0	10,0	12,0
914,0	914,0	1434	450	1534	907				150,00	200,00	250,00	300,00	400,00	500,00	600,00
	813,0							●	●	●	●	●	●	●	
	711,0							●	●	●	●	●	●	●	
	610,0							●	●	●	●	●	●	●	
	508,0							●	●	●	●	●	●	●	
	457,0							●	●	●	●	●	●	●	
	406,4							●	●	●	●	●	●	●	
1016,0	1016,0	1593	500	1693	1008				190,00	254,00	317,00	384,00	507,00	634,00	760,00
	914,0							●	●	●	●	●	●	●	
	813,0							●	●	●	●	●	●	●	
	711,0							●	●	●	●	●	●	●	
	610,0							●	●	●	●	●	●	●	
	508,0							●	●	●	●	●	●	●	
	457,0							●	●	●	●	●	●	●	
1220,0	1220,0	1913	600	2000	1210				280,00	375,00	470,00	560,00	750,00	1080,0	1125,0
	1016,0							●	●	●	●	●	●	●	
	914,0							●	●	●	●	●	●	●	
	813,0							●	●	●	●	●	●	●	
	711,0							●	●	●	●	●	●	●	
	610,0							●	●	●	●	●	●	●	

ISO STANDARD

Saddle Tee-pieces / STWz



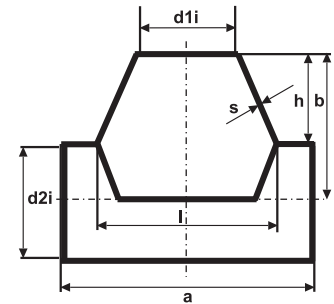
DN		length	height			available wall thickness s in mm / weight kg per item							
d2i	d1i	l	h	a	b	1,5	2,0	2,5	3,0	4,0	5,0	6,0	
15	15	54	30	155	41	0,05	0,07						
20	20	59	30	161	43	0,08	0,11						
	15					●	●						
25	25	64	30	168	47	0,14	0,17	0,21					
	20					●	●						
	15					●	●						
32	32	76	35	183	56	0,21	0,28	0,35	0,42				
	25					●	●	●					
	20					●	●						
	15					●	●						
40	40	90	40	195	64	0,30	0,41	0,51	0,62				
	32					●	●	●	●				
	25					●	●	●					
	20					●	●						
50	50	106	45	212	75	0,38	0,50	0,63	0,76				
	40					●	●	●	●				
	32					●	●	●	●				
	25					●	●	●					
	20					●	●						
65	65	127	50	228	88	0,64	0,86	1,07	1,28	1,70			
	50					●	●	●	●				
	40					●	●	●	●				
	32					●	●	●	●				
	25					●	●	●					
80	80	153	60	258	104	0,88	1,18	1,47	1,76	2,35			
	65					●	●	●	●	●			
	50					●	●	●	●				
	40					●	●	●	●				
	32					●	●	●					
100	100	179	65	290	122	1,34	1,80	2,25	2,70	3,60	4,50		
	80					●	●	●	●	●			
	65					●	●	●	●	●			
	50					●	●	●	●				
125	125	227	85	338	155	2,00	2,60	3,30	4,00	5,20	6,50		
	100					●	●	●	●	●	●		
	80					●	●	●	●	●			
	65					●	●	●	●	●			
	50					●	●	●	●				

FOR PIPE AND PAPER

Saddle Tee-pieces / STWz

FOR PIPE AND PAPER	DN		length	height			available wall thickness s in mm / weight kg per item					
	d2i	d1i	l	h	a	b	1,5	2,0	2,5	3,0	4,0	5,0
150	150	270	100	384	184	2,60	3,50	4,50	5,40	7,10	9,00	10,70
	125					•	•	•	•	•	•	
	100					•	•	•	•	•	•	
	80					•	•	•	•	•		
65	•	•	•	•	•							
200	200	360	135	475	245		5,80	7,30	8,70	11,60	14,50	17,50
	150					•	•	•	•	•	•	
	125					•	•	•	•	•	•	
	100					•	•	•	•	•	•	
80	•	•	•	•	•							
250	250	427	150	546	287		8,70	11,00	13,00	17,50	22,00	26,00
	200					•	•	•	•	•	•	
	150					•	•	•	•	•	•	
	125					•	•	•	•	•	•	
100	•	•	•	•	•	•	•					
300	300	508	175	626	337		10,20	12,80	15,30	20,50	25,50	30,50
	250					•	•	•	•	•	•	
	200					•	•	•	•	•	•	
	150					•	•	•	•	•	•	
125	•	•	•	•	•	•	•					
350	350	586	200	687	378				23,50	31,00	39,00	47,00
	300							•	•	•	•	
	250							•	•	•	•	
	200							•	•	•	•	
150			•	•	•	•						
400	400	637	200	737	403				28,50	38,00	48,00	57,00
	350							•	•	•	•	
	300							•	•	•	•	
	250							•	•	•	•	
200			•	•	•	•						
150			•	•	•	•						
450	450	717	225	817	454				36,00	48,00	60,00	72,00
	400							•	•	•	•	
	350							•	•	•	•	
	300							•	•	•	•	
250			•	•	•	•						
200			•	•	•	•						

Saddle Tee-pieces / STWz



DN		length	height			available wall thickness s in mm / weight kg per item						
d2i	d1i	l	h	a	b	1,5	2,0	2,5	3,0	4,0	5,0	6,0
500	500	797	250	897	504				45,00	60,00	75,00	90,00
	450					●	●	●	●			
	400					●	●	●	●			
	350					●	●	●	●			
	300					●	●	●	●			
	250					●	●	●	●			
	200					●	●	●	●			
600	600	956	300	1056	605				60,00	80,00	100,00	120,00
	500					●	●	●	●			
	450					●	●	●	●			
	400					●	●	●	●			
	350					●	●	●	●			
	250					●	●	●	●			
700	700	1115	350	1215	706				85,00	114,00	142,00	170,00
	600					●	●	●	●			
	500					●	●	●	●			
	450					●	●	●	●			
	400					●	●	●	●			
	350					●	●	●	●			
	300					●	●	●	●			
800	800	1275	400	1375	807				112,00	149,00	186,00	224,00
	700					●	●	●	●			
	600					●	●	●	●			
	500					●	●	●	●			
	450					●	●	●	●			
	400					●	●	●	●			
	350					●	●	●	●			
900	900	1434	450	1534	907				141,00	188,00	235,00	283,00
	800					●	●	●	●			
	700					●	●	●	●			
	600					●	●	●	●			
	500					●	●	●	●			
	400					●	●	●	●			

FOR PIPE AND PAPER

Saddle Tee-pieces / STWz

FOR PIPE AND PAPER	DN		length	height			available wall thickness s in mm / weight kg per item							
	d2i	d1i	l	h	a	b	1,5	2,0	2,5	3,0	4,0	5,0	6,0	
	1000	1000	1593	500	1693	1008					176,00	235,00	294,00	353,00
		900								●	●	●	●	
		800								●	●	●	●	
		700								●	●	●	●	
		600								●	●	●	●	
		500								●	●	●	●	
		450								●	●	●	●	
	1200	1200	1913	600	2000	1210					230,00	310,00	385,00	460,00
1000									●	●	●	●		
900									●	●	●	●		
800									●	●	●	●		
700									●	●	●	●		
600									●	●	●	●		